

ASSEMBLY INSTRUCTIONS

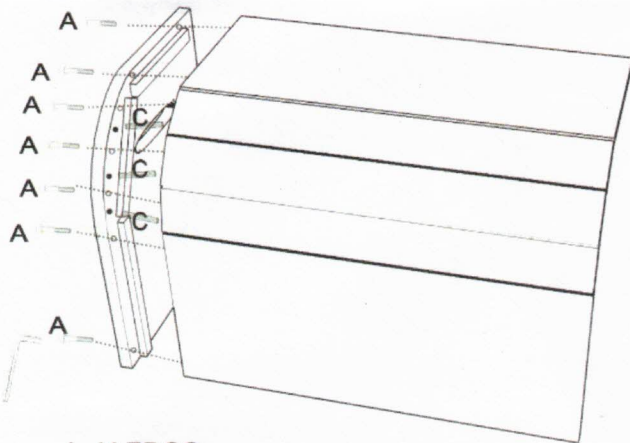
HARDWARE LIST

A  X18 PCS

B  X 1 PC

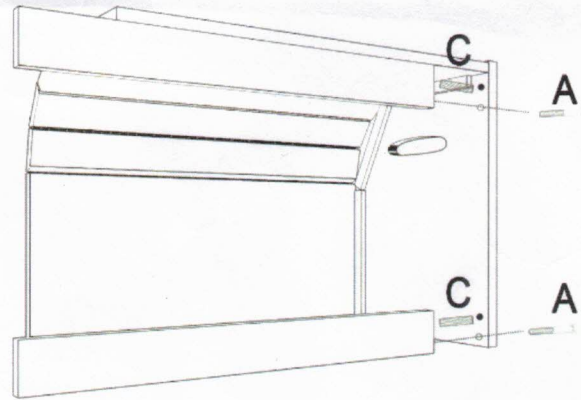
C  X10 PCS

STEP 1



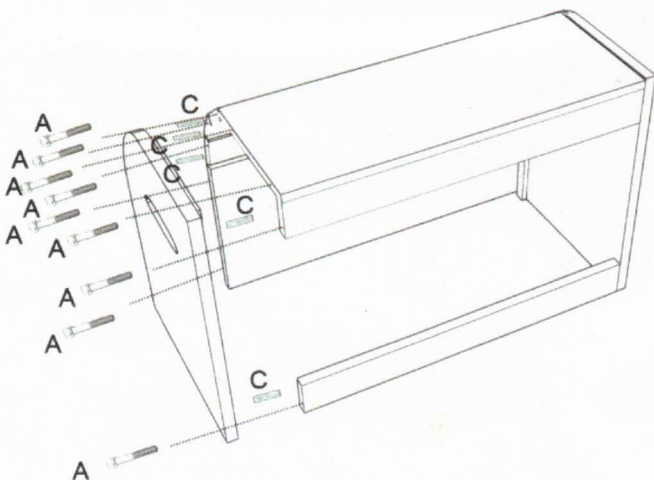
A X 7PCS
C X 3PCS

STEP 2



A X 2PCS
C X 2PCS

STEP 3



A X 9PCS
C X 5PCS

STEP 4

