

# ASSEMBLY INSTRUCTIONS

## HARDWARE LIST

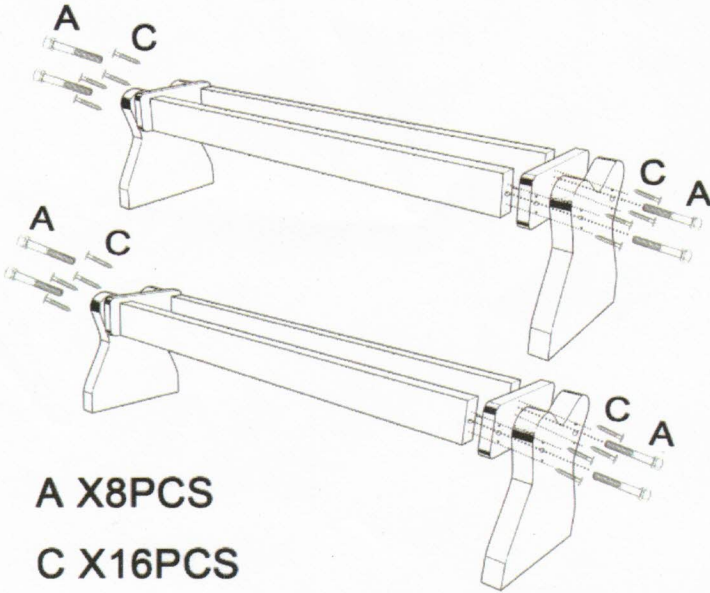
A  60MM X8 PCS

B  50MM X 18 PCS

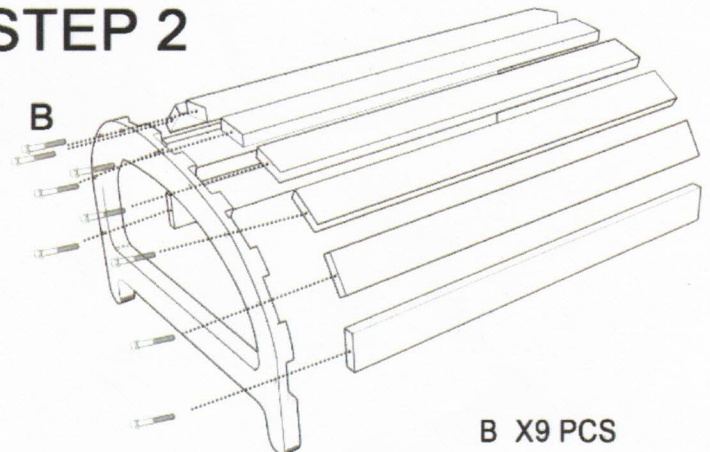
C  50MM X16 PCS

D  X 1 PC

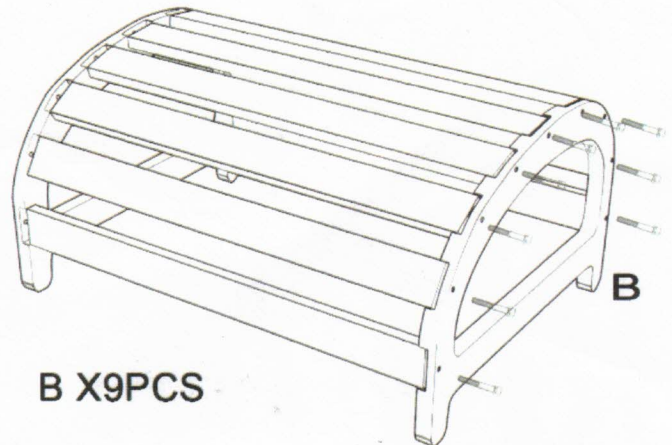
### STEP 1



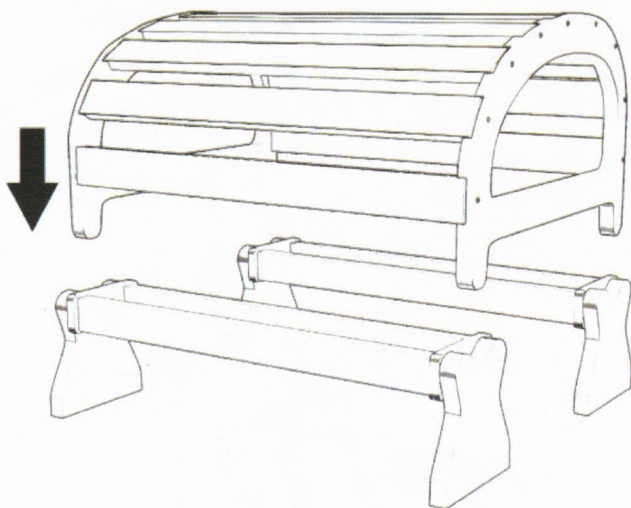
### STEP 2



### STEP 3



### STEP 4



### STEP 5

